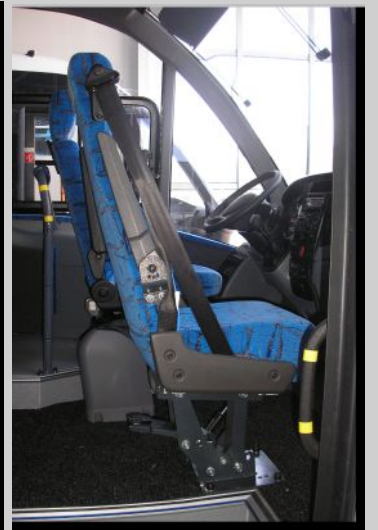




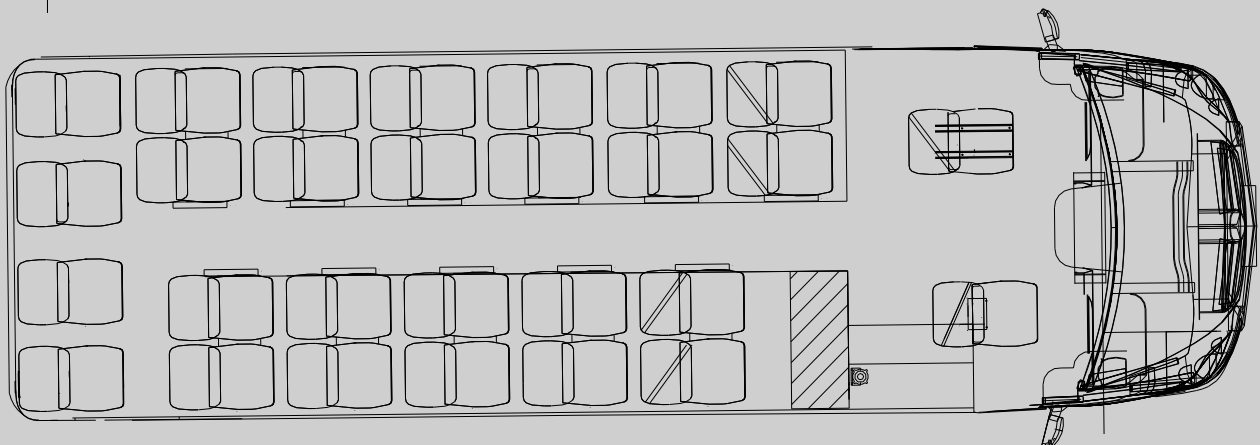
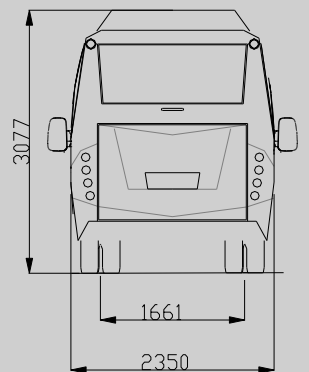
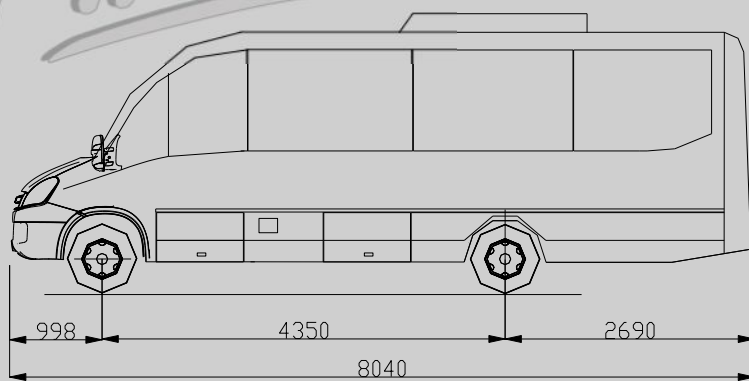
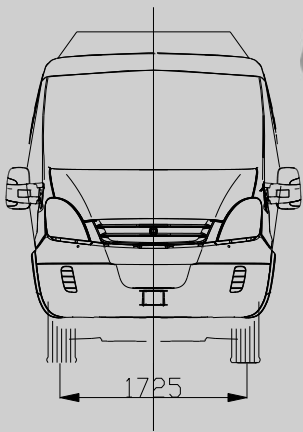
*First*







# First FLHI



## MEASUREMENTS - WEIGHTS

Overall length:..... 8 040 mm  
Overall width:..... 2 350 mm  
Height inc. A/C:..... 3 077 mm  
Wheelbase:..... 4 350 mm  
Interior saloon height:..... 1 960 mm  
Max. total weight:..... 7 200 kg  
Chassis: ..... IRISBUS - IVECO DAILY 65C  
Luggage compartment capacity:..... cca. 2 m3  
Seats:..... 26 + 1 + 1

## ENGINE

Make:..... IVECO  
Type:..... F1C  
Turbo:..... intercooling  
Number of cylinders:..... 4 cylinders in line  
Capacity:..... 2 998 cm3  
Max. power:..... 125 kW (170HP) at 3500 rpm  
Max. torque:..... 400 Nm at 1250 - 3000 rpm  
Emission level:..... EEV

## TRANSMISSION

Transmission:..... 6 - gear manual transmission ZF 6S-400

### Options:

Automatic transmission ZF 6AS 400

## AXLES

Final drive ratio:..... i = 4,3  
Front axle:..... independent wheels with indication  
Stabiliser:..... front axle and rear axle  
Rear axle:..... Single axle, twin wheels  
Suspension:..... pneumatic suspension

## BRAKES

Hydraulic brake systems with separated circuits  
Disc brakes on front and rear axle  
ABS, ASR, EBD  
Retarder Telma

## FUEL TANK

Fuel tank:..... 90 liters

## WHEELS - TYRES

Steel rims:..... 6,0 x 16"  
Summer tyres:..... 225/75 R16

## DOORS

Massats electric single-sheeted outward-opening doors to the right  
Emergency door

## GLAZING

Windscreen laminated glass  
Thermal glass  
Fixed double windows all around  
Lightly tinted glass

## ELECTRICAL EQUIPMENT

Battery:..... 12 Volt - 110 Ah  
Electricity:..... 12 Volt, starter 12 Volt  
Diagnostic connection  
Electronic revolution counter  
Combination instruments  
Digital tachograph  
Radio / CD player  
Microphone for courier  
Loudspeakers in parcel racks  
Day / night illumination in interior roof lining  
Entrance lights  
Headlights, clear glass technology  
Halogen fog lights  
Marker lights

### Options:

DVD, LCD TV  
Coffemachine  
Refrigerator

## HEATING - VENTILATION - COOLING

Air conditioning:..... Delphi Diavia 15,5 kW  
Baseboard heating in combination with a hotwater pre-heater  
Front heater with defroster  
Digital heater timer

## INTERIOR

Driver's seat upholstered the same as the other seats, with 3 -point safety belt  
Adjustable driver's seat headrest  
Glove compartment  
Storage space on dashboard  
Moquette trimming to gangway roof (same as seats)  
Sides and back door felt upholstered  
Wooden floor upholstered with anti-slip carpeting, sealing all around  
Escape hatch  
Separating wall at left of entrance  
Driver's window with sliding mechanism  
Large interior mirror  
Optional curtains  
26 seats KIEL with backrest adjustment, magazine net and tip up tables  
Electronic roof ventilator

### Options:

Footrests

## EXTERIOR

Colour:..... RAAL

### Options:

Metalic colours  
Towing hook

**BUSScenter Haninge**  
Seklitas Konsult HB  
Box 149  
136 23 Haninge

Mobil: 070 712 60 88  
Tel/Fax: 08 745 18 55  
info@busscenter.se  
www.busscenter.se

Besöksadress:  
Hantverkarvägen 39E  
136 44 Handen

**BUSScenter** 

