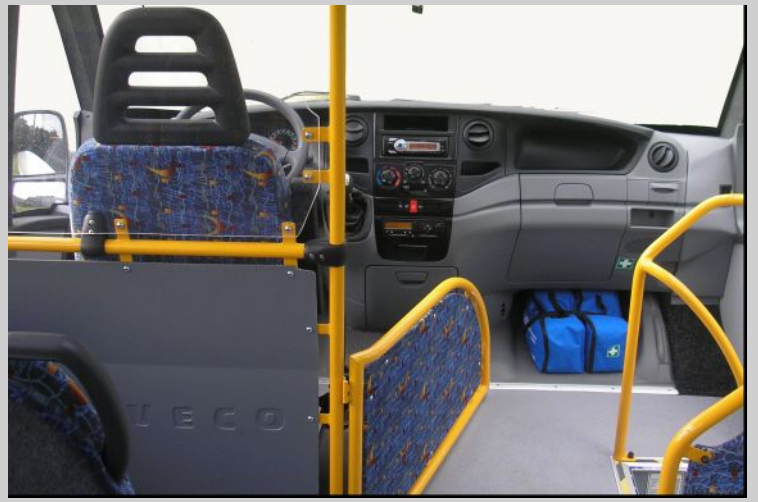


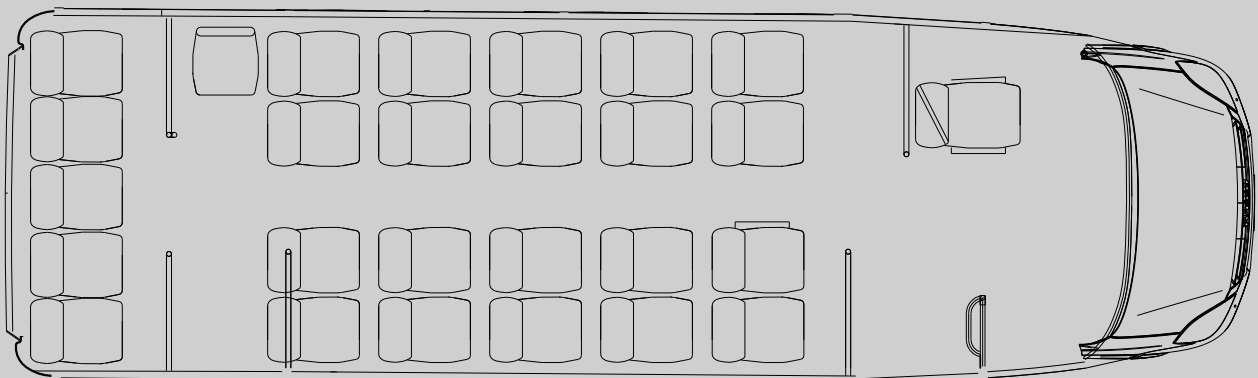
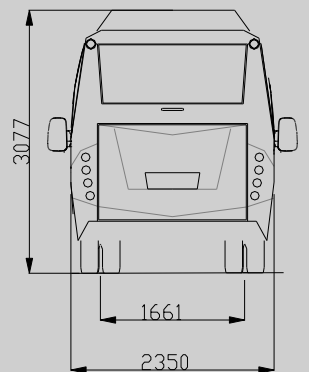
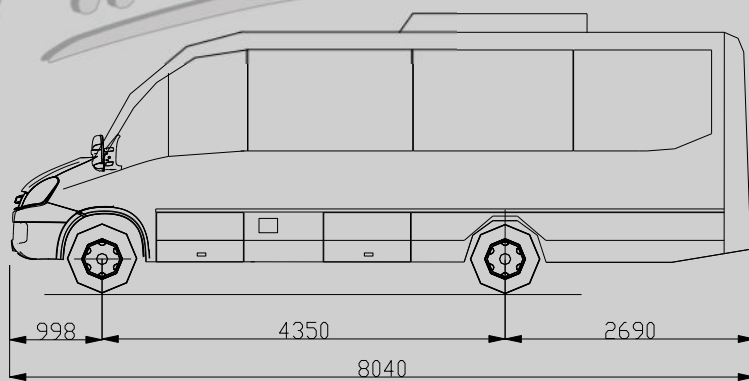
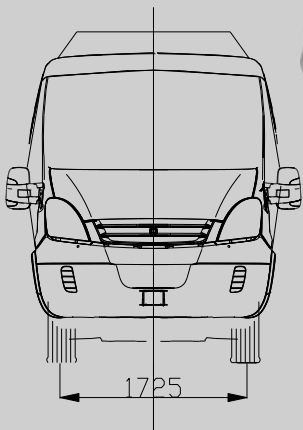


First





First FSLI



MEASUREMENTS - WEIGHTS

Overall length:..... 8 040 mm
Overall width:..... 2 350 mm
Height inc. A/C:..... 2 885 mm
Wheelbase:..... 4 350 mm
Max. total weight:..... 7 200 kg
Chassis: IRISBUS - IVECO Daily 65C
Capacity of vehicle:..... 26/1 seats
8 standing- passengers
1 driver

ENGINE

Make:..... IVECO
Type:..... F1C
Number of cylinders:..... 4 cylinders in line
Capacity:..... 2 998 cm³
Max. power:..... 125 kW (170HP) at 3500 rpm
Max. torque:..... 400 Nm at 1250 - 3000 rpm
Emission level:..... EEV

TRANSMISSION

Transmission:..... 6 - gear manual transmission

Options:
Automatic transmission

AXLES

Final drive ratio:..... i = 4,3
Front axle:..... independent wheels with indication
Stabiliser:..... front axle and rear axle
Rear axle:..... single axl, twin wheels
Suspension:..... pneumatic suspension

BRAKES

Hydraulic brake systems with separated circuits
ABS, ASR
Retarder Telma

FUEL TANK

Fuel tank:..... 90 Liters

WHEELS - TYRES

Steel rims:..... 6,0 x 16"
Summer tyres:..... 225/75 R16

DOORS

Electric front single-sheeted door
Electric rear single-sheeted door

GLAZING

Windscreen laminated glass
Driver window
Manually operated-window

ELECTRICAL EQUIPMENT

Battery 12 Volt - 110 Ah
Electricity 12 Volt
Diagnostic connection
Digital tachograph
Radio / CD player
Day / night illumination in interior roof lining

HEATING - VENTILATION - COOLING

Baseboard heating in combination with a hotwater pre-heater
2 x roof fan
roof hatch

Option:
Climatisation

INTERIOR

Driver's seat upholstered the same as the other seats
Wooden floor upholstered with anti-slip carpeting, sealing all around
Luggage shelves
Driver's window with sliding mechanism
Large interior mirror
26/1 standard seats
2 x roof fan

EXTERIOR

Colour:..... RAAL

BUSScenter Haninge
Seklitas Konsult HB
Box 149
136 23 Haninge

Mobil: 070 712 60 88
Tel/Fax: 08 745 18 55
info@busscenter.se
www.busscenter.se

Besöksadress:
Hantverkarvägen 39E
136 44 Handen

BUSScenter 

