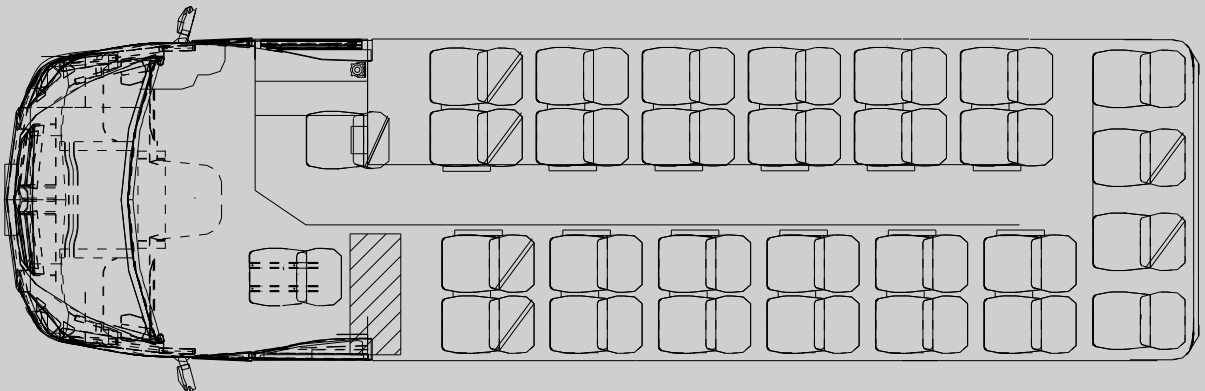
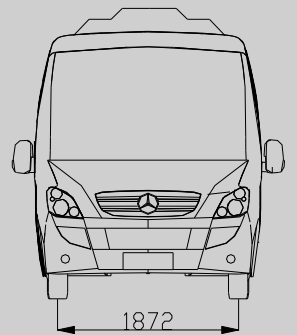
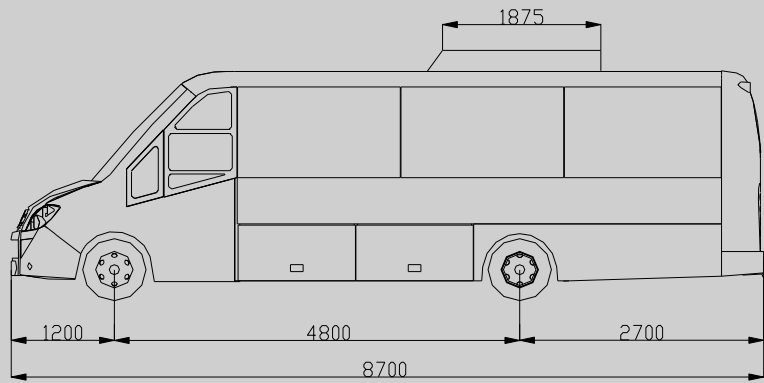
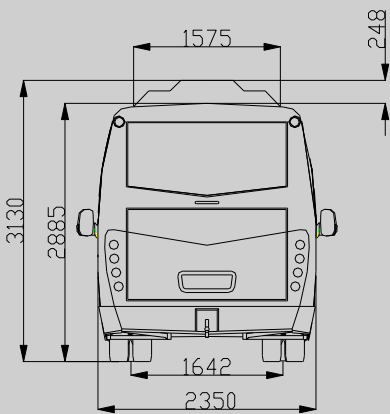






PHM



MEASUREMENTS - WEIGHTS

Overall length:..... 8 700 mm
Overall width:..... 2 350 mm
Height inc. A/C:..... 3 130 mm
Wheelbase:..... 4 800 mm
Interior saloon height:..... 1 900 mm
Max. total weight:..... 8 200 kg
Chassis: Mercedes - Benz Vario 818
Luggage compartment capacity:..... cca. 3 m3
Seats:..... 28 + 1 + 1

ENGINE

Make:..... MERCEDES BENZ
Type:..... OM 904 LA
Turbo:..... intercooling
Number of cylinders:..... 4 cylinders in line
Capacity:..... 4 250 cm3
Max. power:..... 130 kW (177HP) at 2200 rpm
Max. torque:..... 675 Nm at 1200 - 1600 rpm
Emission level:..... Euro 5

TRANSMISSION

Transmission:..... 6 - gear manual transmission
G56-6/6,29-0,78

Options:
Automatic transmission

AXLES

Final drive ratio:..... $i = 3,636$
Stabiliser:..... front axle and rear axle
Suspension:..... pneumatic suspension

BRAKES

Hydraulic brake systems with separated circuits
Disc brakes on front and rear axle
ABS, ASR, EBD
Retarder Telma CC80

FUEL TANK

Fuel tank:..... 125 liters
Ad Blue tank:..... 18 liters

WHEELS - TYRES

Steel rims:..... 6,0 x 17,5"
Summer tyres:..... 205/75 R17,5

DOORS

Pneumatic single-sheeted outward-opening doors to the right
Emergency door

GLAZING

Windscreen laminated glass
Thermal glass
Fixed double windows all around
Lightly tinted glass

ELECTRICAL EQUIPMENT

Battery:..... 24 Volt - 110 Ah
Electricity:..... 24 Volt, starter 24 Volt
Diagnostic connection
Electronic revolution counter
Combination instruments
Digital tachograph
Radio / CD player
Microphone for courier
Loudspeakers in parcel racks
Day / night illumination in interior roof lining
Entrance lights
Headlights, clear glass technology
Halogen fog lights
Marker lights

Options:
DVD, LCD TV
Coffemachine
Refrigerator

HEATING - VENTILATION - COOLING

Air conditioning:..... Delphi Diavia 15,5 kW
Baseboard heating in combination with a hotwater pre-heater
Front heater with defroster
Digital heater timer

INTERIOR

Driver's seat upholstered the same as the other seats, with 3 -point safety belt
Adjustable driver's seat headrest
Glove compartment
Storage space on dashboard
Moquette trimming to gangway roof (same as seats)
Sides and back door felt upholstered
Wooden floor upholstered with anti-slip carpeting, sealing all around
Escape hatch
Separating wall at left of entrance
Driver's window with sliding mechanism
Large interior mirror
Optional curtains
28 seats KIEL with backrest and side adjustment, magazine net and tip up tables
Electronic roof ventilator

Options:
Footrests

EXTERIOR

Colour:..... RAAL

Options:
Metalic colours
Towing bracket

BUSScenter Haninge
Seklitas Konsult HB
Box 149
136 23 Haninge

Mobil: 070 712 60 88
Tel/Fax: 08 745 18 55
info@busscenter.se
www.busscenter.se

Besöksadress:
Hantverkarvägen 39E
136 44 Handen

BUSScenter 

