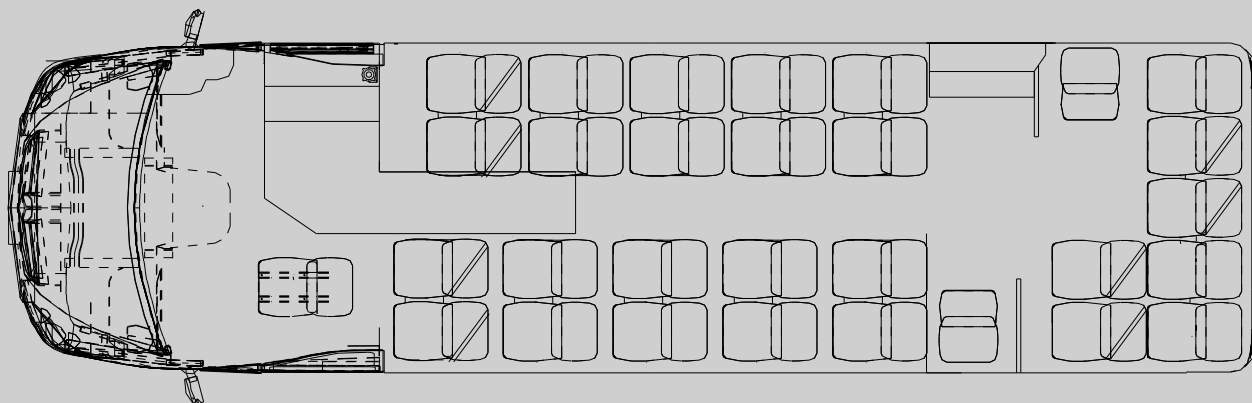
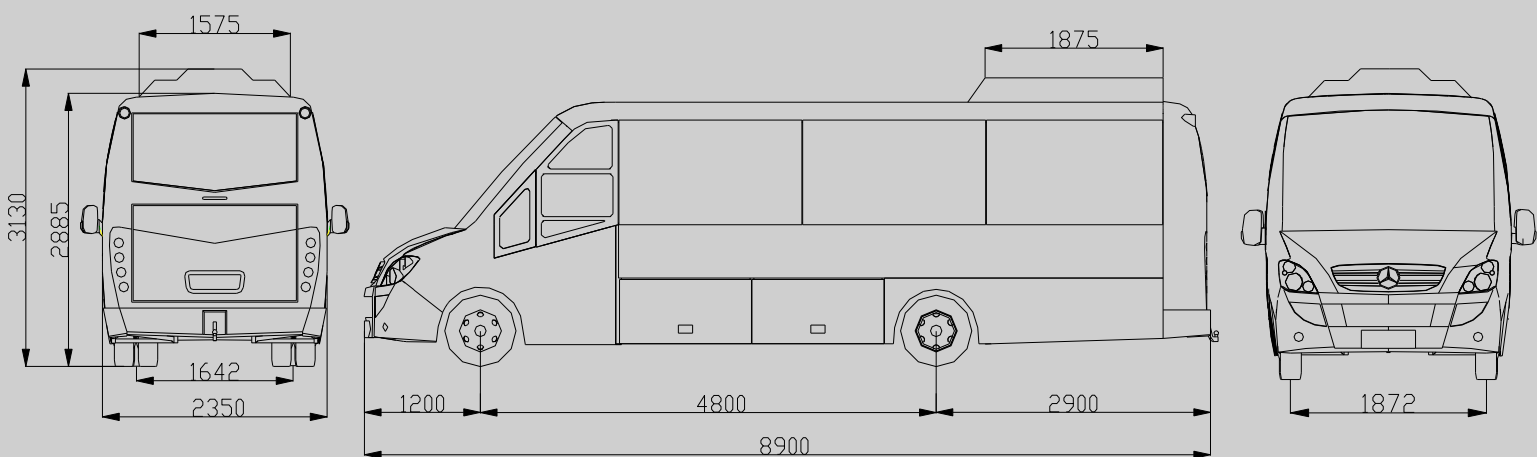






SLM



MEASUREMENTS - WEIGHTS

Overall length:..... 8 900 mm
Overall width:..... 2 350 mm
Height inc. A/C:..... 2 885 - 3130 mm
Wheelbase:..... 4 800 mm
Max. total weight:..... 8 200 kg
Chassis: Mercedes - Benz Vario 818
Capacity of vehicle:..... 29/2 seats
7 standing- passengers
1 driver

ENGINE

Make:..... Mercedes Benz
Type:..... OM 904LA
Number of cylinders:..... 4 cylinders in line
Capacity:..... 4 250 cm³
Max. power:..... 130 kW (177HP) at 2200 rpm
Max. torque:..... 675 Nm at 1200 - 1600 rpm
Emission level:..... Euro 5

TRANSMISSION

Transmission:..... 6 - gear manual transmission

Options:
Automatic transmission

AXLES

Final drive ratio:..... $i = 3,636$
Front axle:..... 2 900 kg
Rear axle:..... 5 600 kg
Suspension:..... pneumatic suspension

BRAKES

Hydraulic brake systems with separated circuits
ABS
Retarder Telma

FUEL TANK

Fuel tank:..... 125 Liters

WHEELS - TYRES

Steel rims:..... 6,0 x 17,5"
Summer tyres:..... 205/75 R17,5

DOORS

Pneumatic front single-sheeted doors
Pneumatic rear single-sheeted doors

GLAZING

Windscreen laminated glass
Driver window
Manually operated-window

ELECTRICAL EQUIPMENT

2 x Battery 12 Volt - 88 Ah
Electricity 24 Volt
Diagnostic connection
Digital tachograph
Radio / CD player
Day / night illumination in interior roof lining

HEATING - VENTILATION - COOLING

Baseboard heating in combination with a hotwater pre-heater
2 x roof fan
Roof hatch

Option:
Climatisation

INTERIOR

Driver's seat upholstered the same as the other seats
Wooden floor upholstered with anti-slip carpeting, sealing all around
Luggage shelves
Driver's window with sliding mechanism
Large interior mirror
29/2 standart seats
2 x roof fan
Roof hatch

EXTERIOR

Colour:..... RAAL

BUSScenter Haninge
Seklitas Konsult HB
Box 149
136 23 Haninge

Mobil: 070 712 60 88
Tel/Fax: 08 745 18 55
info@busscenter.se
www.busscenter.se

Besöksadress:
Hantverkarvägen 39E
136 44 Handen

BUSScenter 

